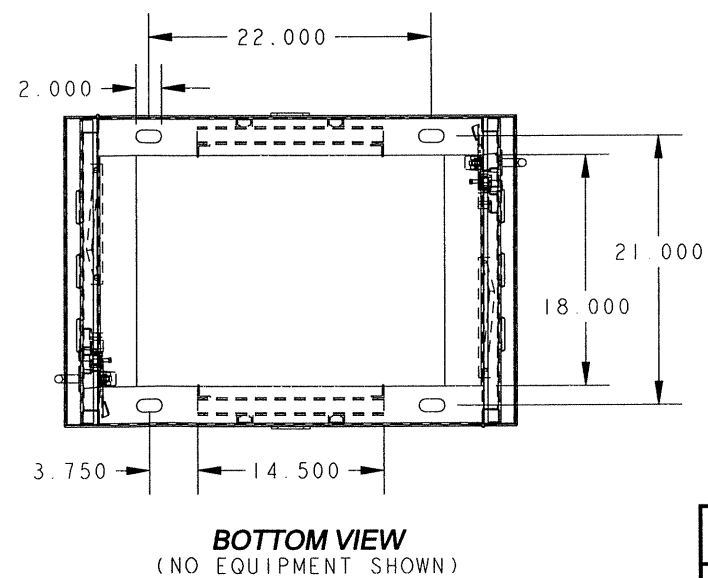


LEFT SIDE VIEW
LIGHT SWITCH DETAIL
SCALE 1/2

SHOWN AS SEEN FROM
LEFT SIDE. WIRE TO
THE N.C. AND COM.



BOTTOM VIEW
(NO EQUIPMENT SHOWN)

TRAFFIC CABINET NOTES:

- 1) PAD MOUNT CONFIGURATION
- 2) 0.125" ALUMINUM 5052-H34 CONSTRUCTION WITH CONTINUOUSLY WELDED EXTERNAL SEAMS
- 3) THREE POINT LATCH WITH SST HANDLE
- 4) DOUBLE FLANGED DOOR SEAL WITH 1/2" X 2" CLOSED CELL NEOPRENE GASKET
- 5) FULL LENGTH EIA GAGE FOR 19" EQUIPMENT
- 6) ADJUSTABLE PULL OUT DRAWER
- 7) DOOR OPENING: 21.50" X 54.75"
- 8) FULL LENGTH STAINLESS STEEL HINGE
- 9) ALL STAINLESS STEEL HARDWARE
- 10) CORBIN LOCK KEYED TO CORBIN #2
- 11) NEMA 3R ENCLOSURE
- 12) SUNSHIELD ON TOP AND ALL SIDES
- 14) SHIPPED ON WOOD PALLET

THE CONCEPTS EXPRESSED AND DETAILS SHOWN ON THIS DRAWING ARE CONFIDENTIAL AND PROPRIETARY. DO NOT REPRODUCE BY ANY MEANS, INCLUDING ELECTRONICALLY WITHOUT THE EXPRESSED WRITTEN CONSENT OF DAKTRONICS, INC. COPYRIGHT 2004 DAKTRONICS, INC.

DAKTRONICS, INC. BROOKINGS, SD 57006

PROJ:	VANGUARD
TITLE:	SHOP DWG, TRAFFIC CAB, 334 ALUM,
DES BY:	GKELLY
DRAWN BY:	GKELLY
DATE:	23 AUG 04
REVISION	SHEET 1 OF DWG 221798
1	SCALE: 1=15

REV.	DATE	DESCRIPTION	BY	APPR.
01	20 OCT 04	ADDED OPTIONAL NOTE TO COMMUNICATIONS SHELF	BDS	

11642 - E10B - 221798